



*Intelligent wood
burning stove*

skyeE700
charnwood

skyeE700

charnwood

AN EXCEPTIONALLY CLEAN, INTELLIGENT WOOD BURNING STOVE DESIGNED AND MADE ON THE ISLE OF WIGHT IN GREAT BRITAIN.

The Skye E700 is a new intelligent micro processor controlled stove that is set to revolutionize the way we burn wood. Load the fire, close the door, set your room temperature using the Charnwood app and let the stove do the rest. It is as simple as that!

This stove uses Charnwood I-Blu combustion intelligence that continuously monitors the state of the fire; introducing air in just the right amounts, in the right places, at exactly the right time to ensure an ultra clean, highly efficient burn. Good for the environment, good for saving fuel and good for giving a crystal clear view of the fire.

As thoughtful in style as it is in function the Skye E700 has a refreshing design aesthetic: classically minimal with a soft modern edge. With an EPA certified efficiency of 84% (LHV) the Skye E700 is the most efficient non-catalytic stove available on the market today.

Made in Great Britain by Charnwood, a family business that has been designing and making wood burning stoves for nearly 50 years. Charnwood are renowned for being Great Britain's leading stove manufacturer who have been at the forefront of stove design and clean burn innovation since 1972.



Patented I-Blu air delivery system for an ultra-clean automated burn.

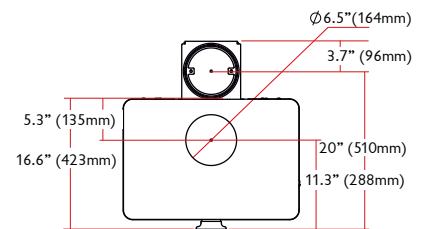
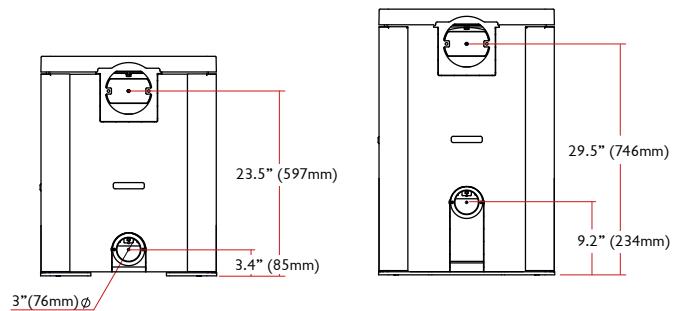
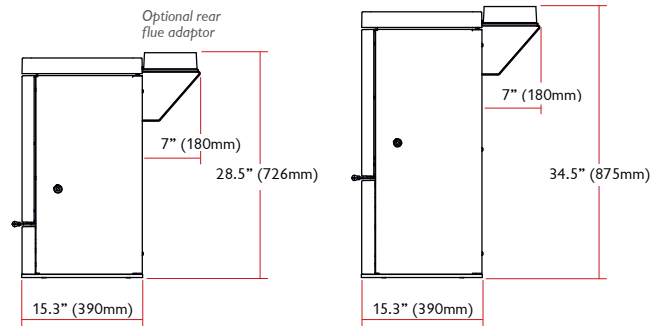
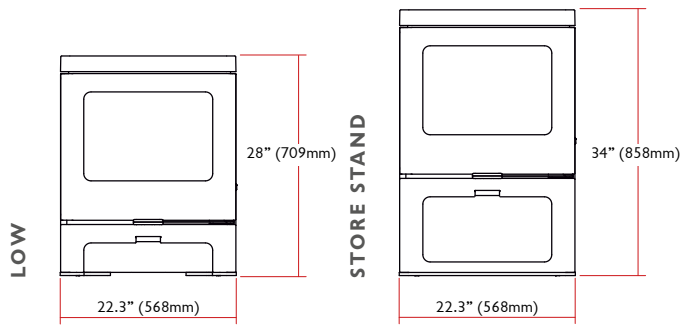


Charnwood's adjustable converting grate for clean, simple and highly effective de-ashing.



*EPA approval pending

EPA HEAT OUTPUT RANGE	31,900-11100Btu/hr (9.3-3.3kW)
LOG LENGTH	16" (406mm) <i>max</i> - 14" (355mm) <i>recommended</i>
FLUE OUTLET	6" (150mm)
EPA CERTIFIED EMISSIONS	2.48 g/hr
EPA CERTIFIED ENERGY EFFICIENCY	84% LHV / 78% HHV
WEIGHT	346lb (157kg) - Store Stand 390lb (177kg) - Low
COLOURS	black, almond



SCAN HERE FOR INFORMATION





charnwood BISHOPS WAY, NEWPORT, ISLE OF WIGHT PO30 5WS, UNITED KINGDOM
TEL. +44 (0) 1983 537777 • FAX. +44 (0) 1983 537788 • WWW.CHARNWOOD.COM



A Division of A.J.Wells & Sons Limited Registered in England No. 03809371